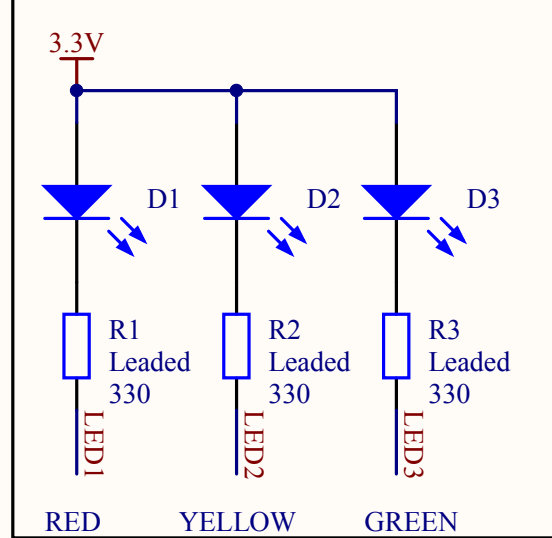
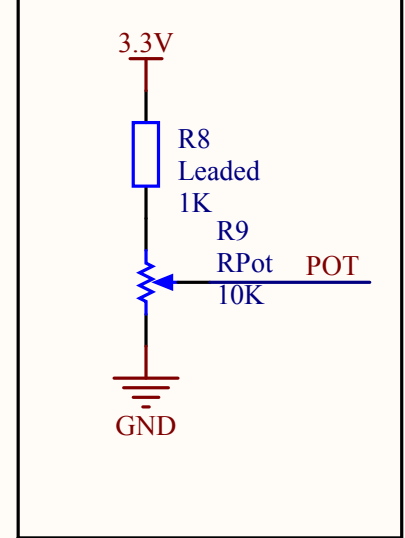


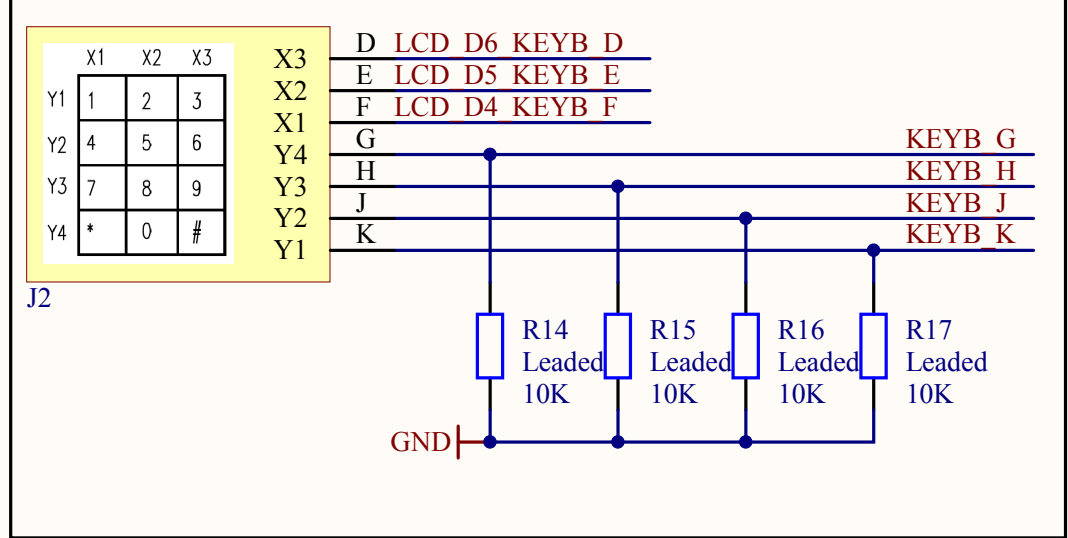
3 x LED



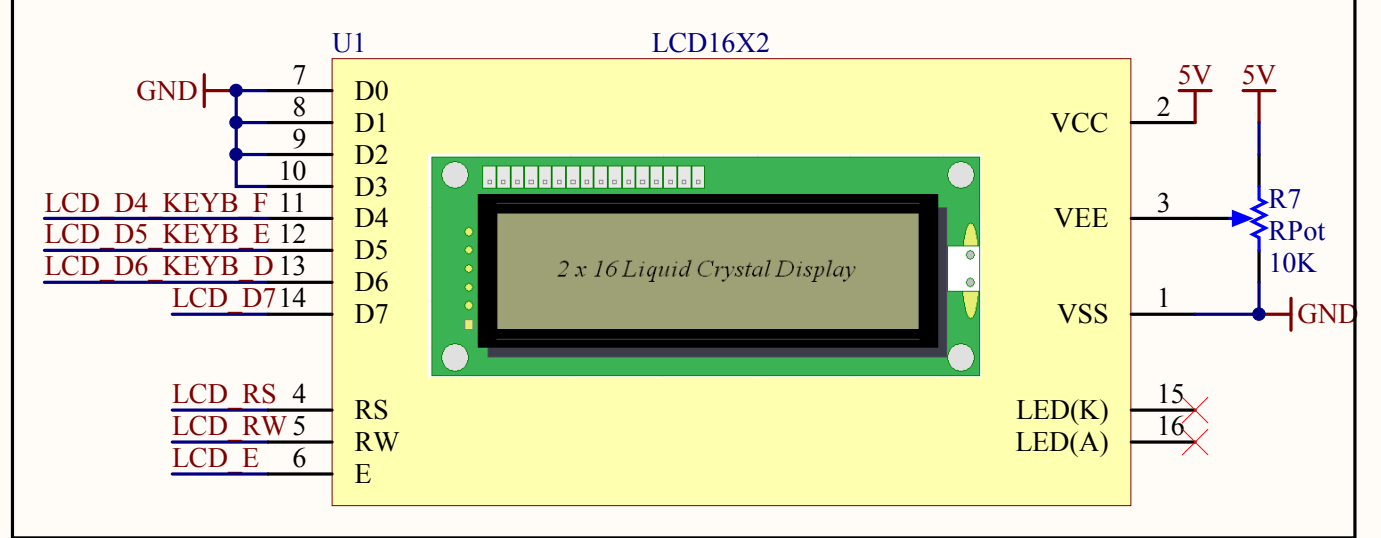
Potmeter



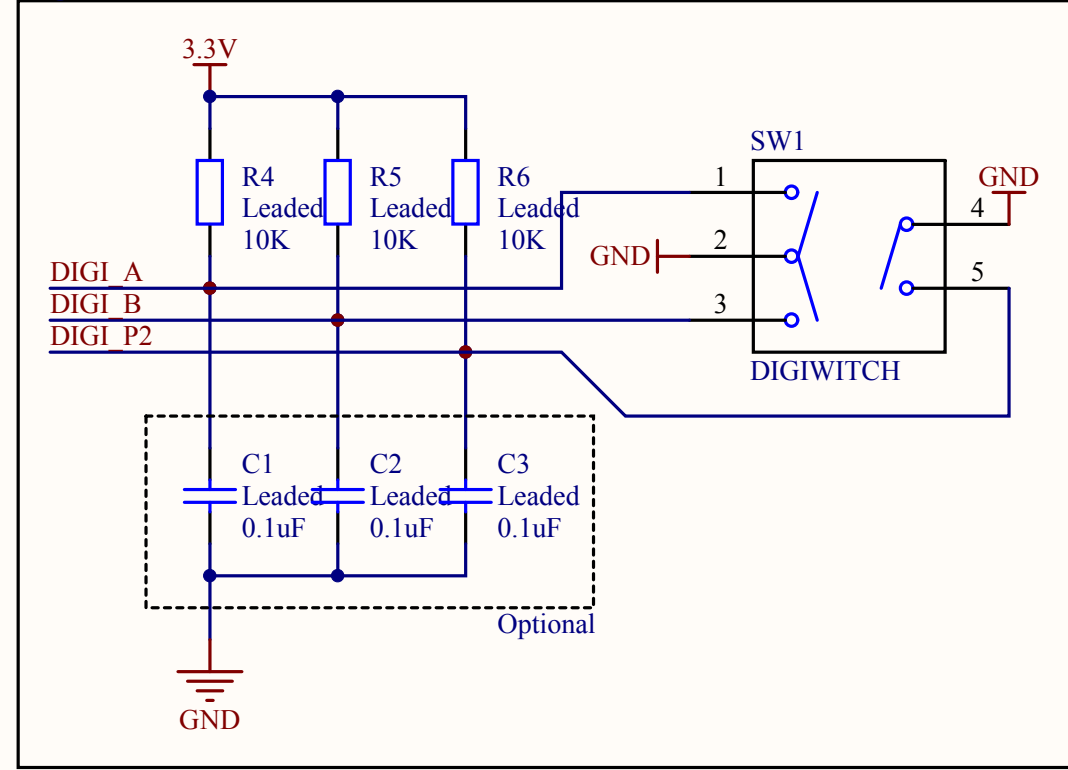
3 x 4 Keyboard



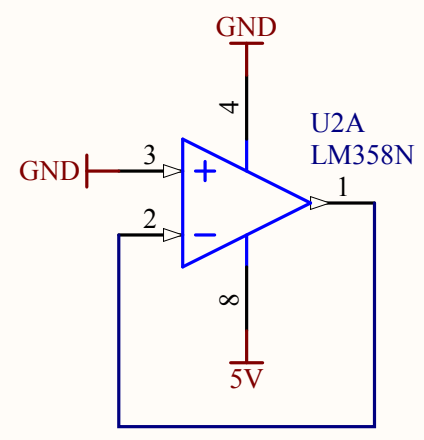
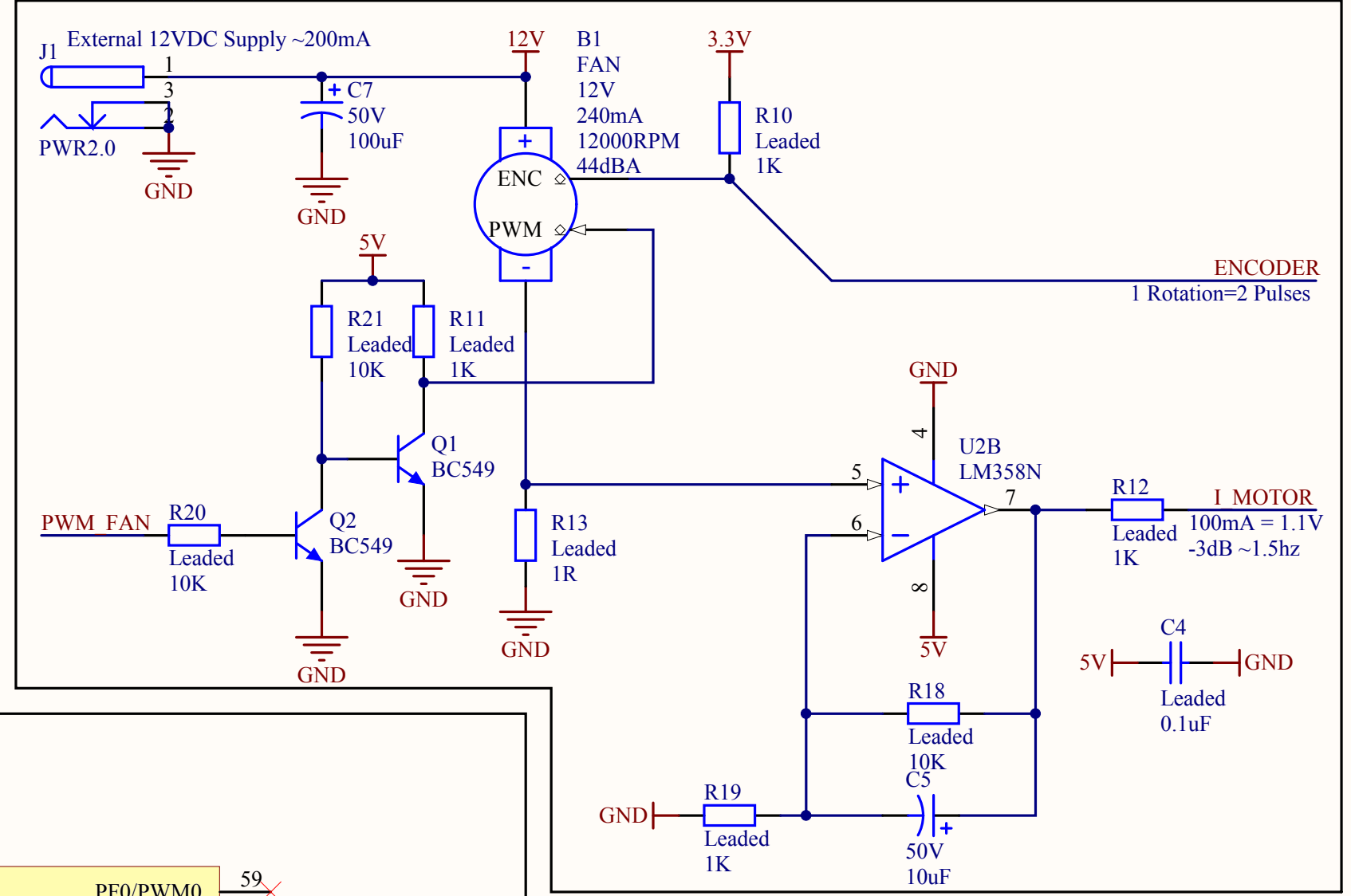
LCD display



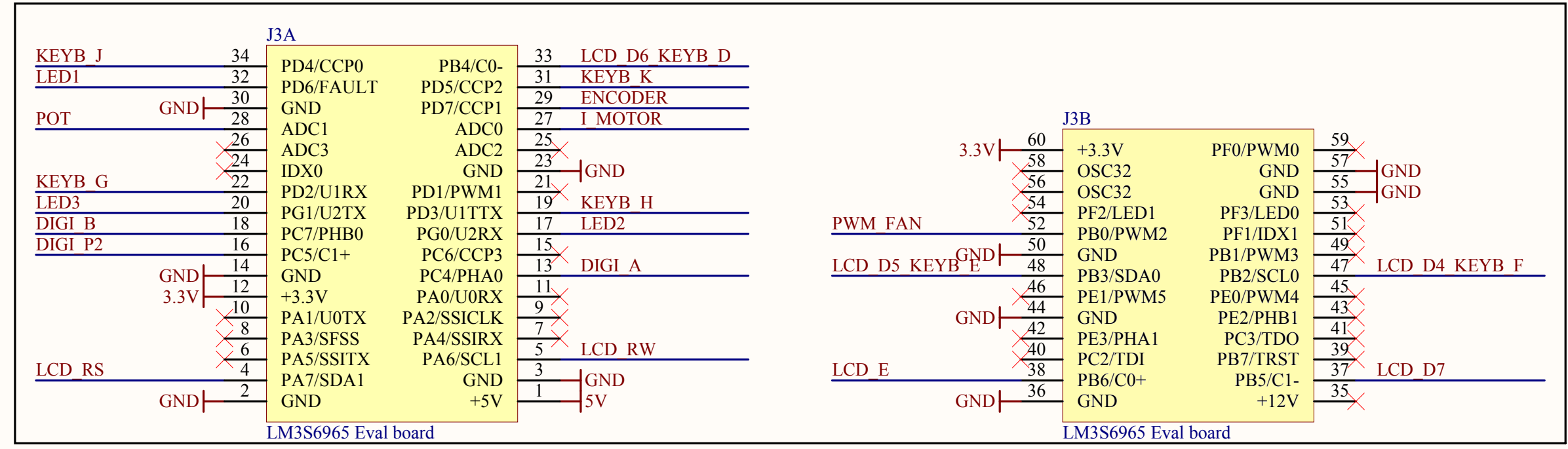
Digiswitch



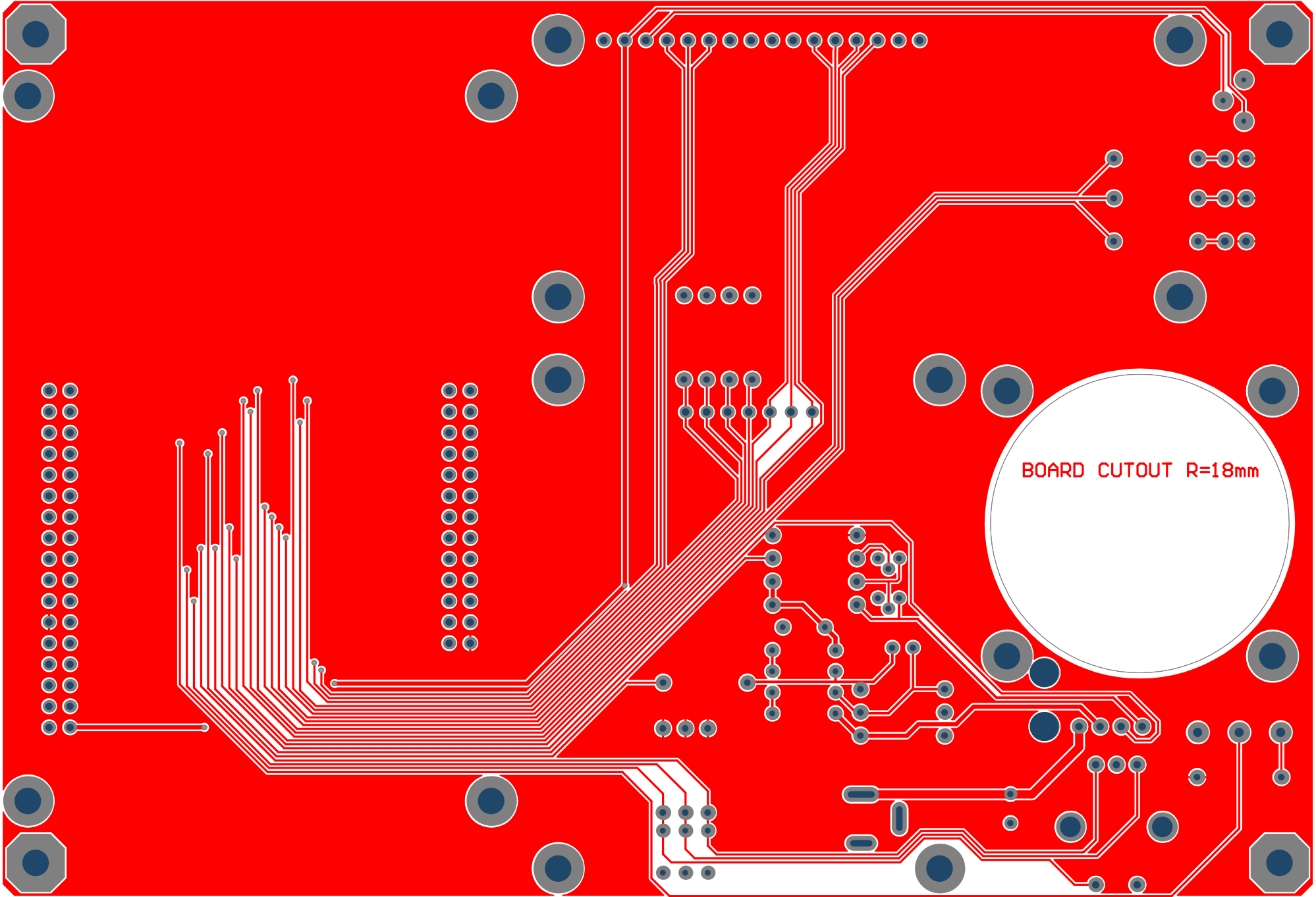
DC motor (Fan)



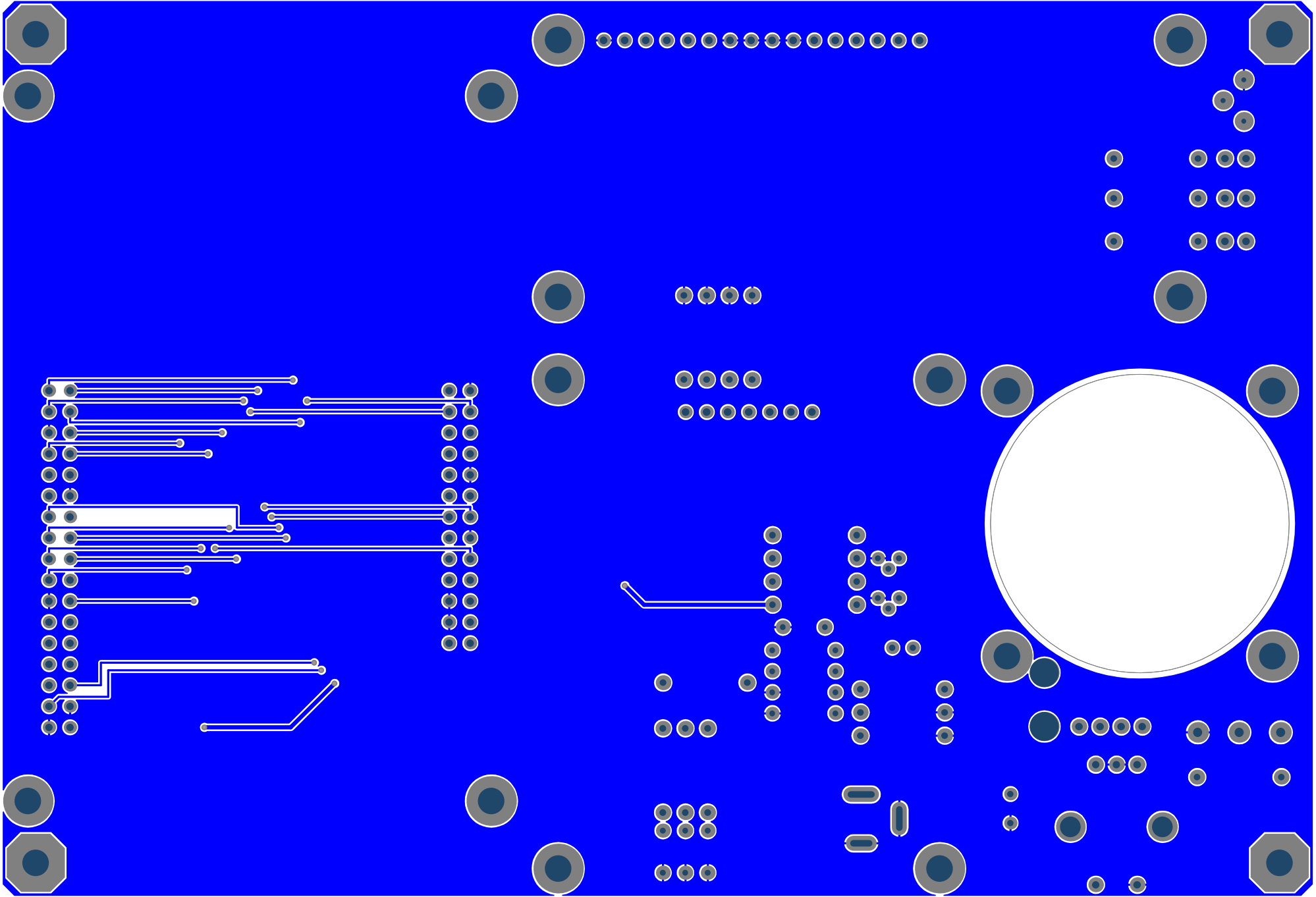
LM3S6965 Eval Board



Title EMP Board		
Size A4	Number	Revision
Date: 18-08-2009	Sheet of	
File: C:\Documents and Settings\...EMP Board	SDD By: Caalb	



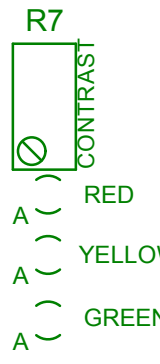
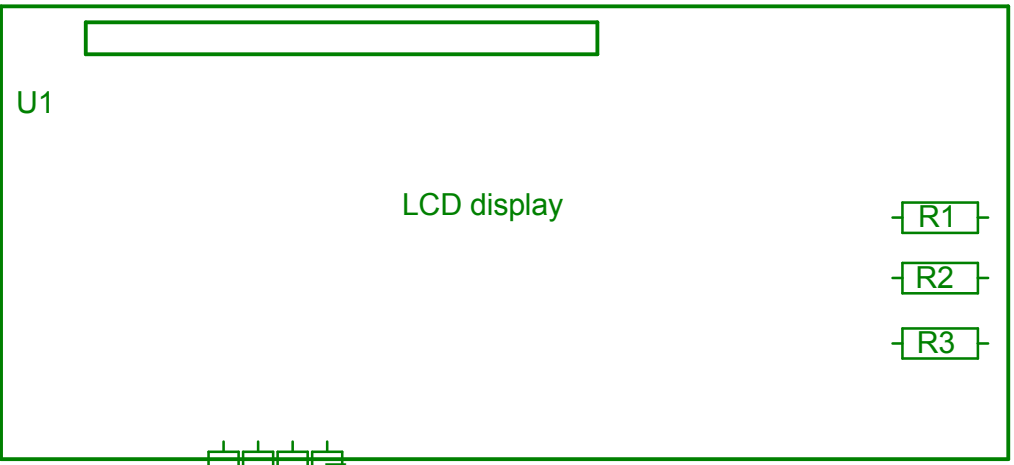
BOARD CUTOUT R=18mm



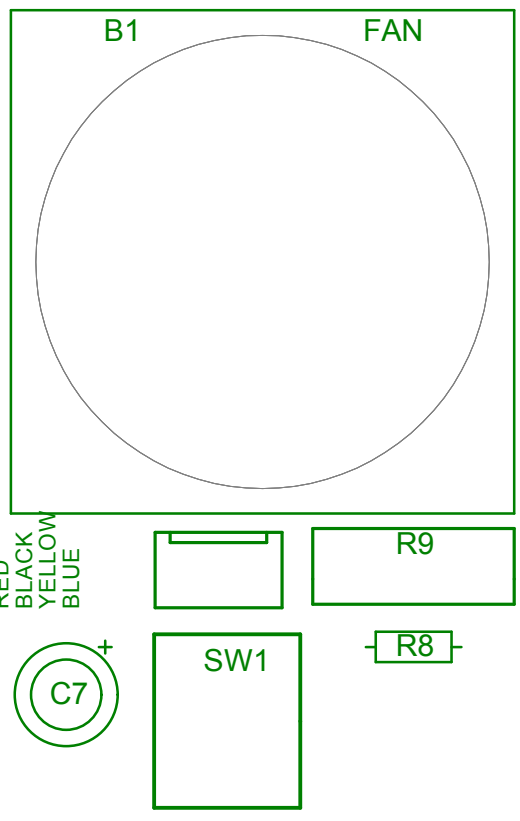
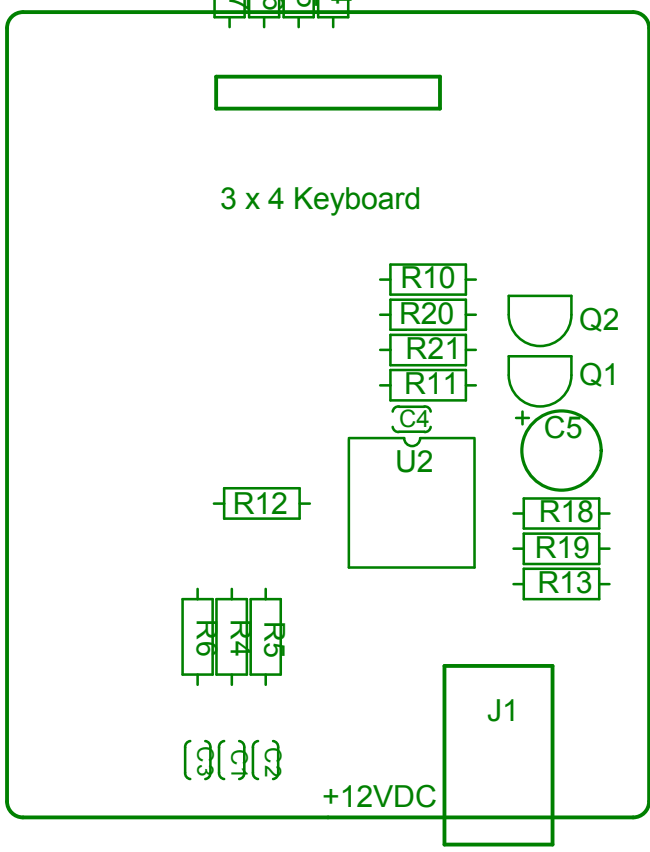
J3

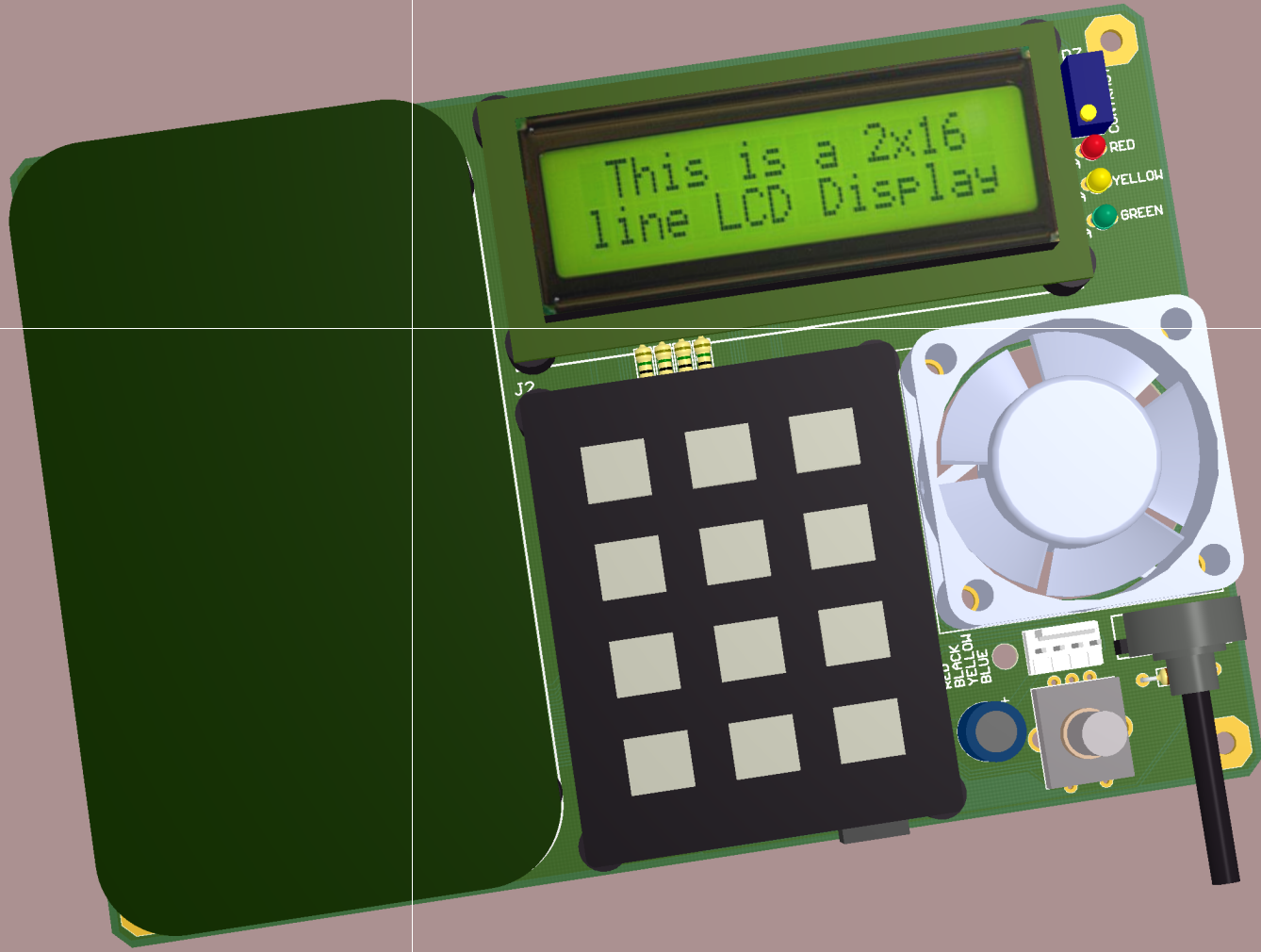
LM3S6965 Eval Board

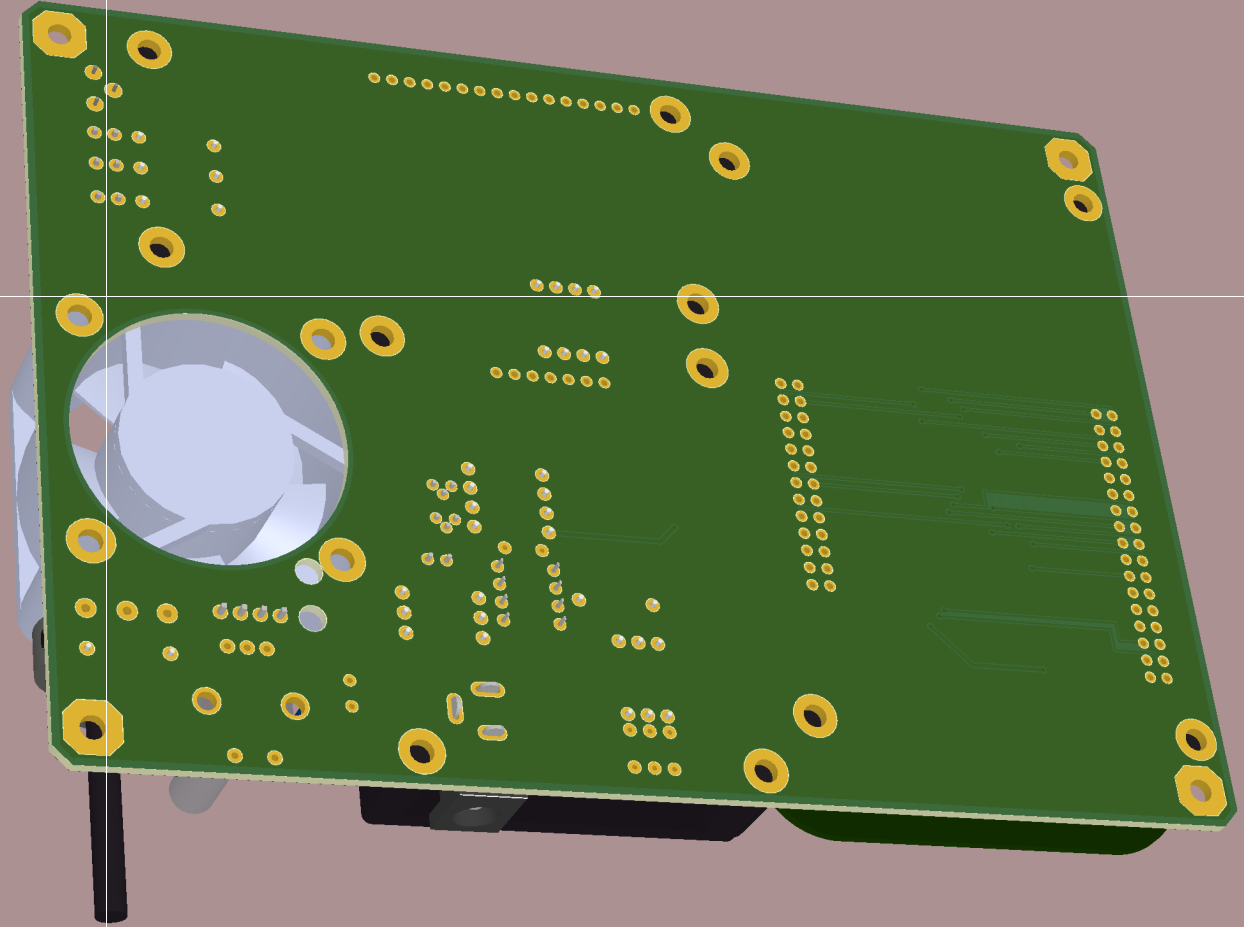
MMMI 08-2009
PCB: Caalb



J2







Value	Designator	Footprint	Quantity	Comment	Dist
	B1	40x40x20 FAN	1	FAN	
0.1uF	C1, C2, C3, C4	Cap 5.08	4	Leaded	
10uF	C5	CAP 6.3 x 11 x 2.5	1	50V	
100uF	C7	CAP 100uF 50V	1	50V	
	D1	LED3R	1	RED	
	D2	LED3Y	1	Yellow	
	D3	LED3G	1	Green	
	J1	DC FATN Ø2.0	1	PWR2.0	
	J2	3x4Matrix keypad	1	3x4_Keyboard	Famell: 467-200
	J3	LM3S6965 Eval Board	1	LM3S6965 Eval board	
	Q1, Q2	TO-92	2	BC549	
330	R1, R2, R3	RESA10	3	Leaded	
10K	R4, R5, R6, R14, R15, R16, R17, R18, R20, R21	RESA10	10	Leaded	
10K	R7	POT 3296	1	RPot	
1K	R8, R10, R11, R12, R19	RESA10	5	Leaded	
10K	R9	POT lager	1	RPot	
1R	R13	RESA10	1	Leaded	
	SW1	427 DigiSwitch	1	DIGIWITCH	
	U1	Display 2x16	1	LCD16X2	Cypax: 04.162.1600
	U2	Dip8	1	LM358N	